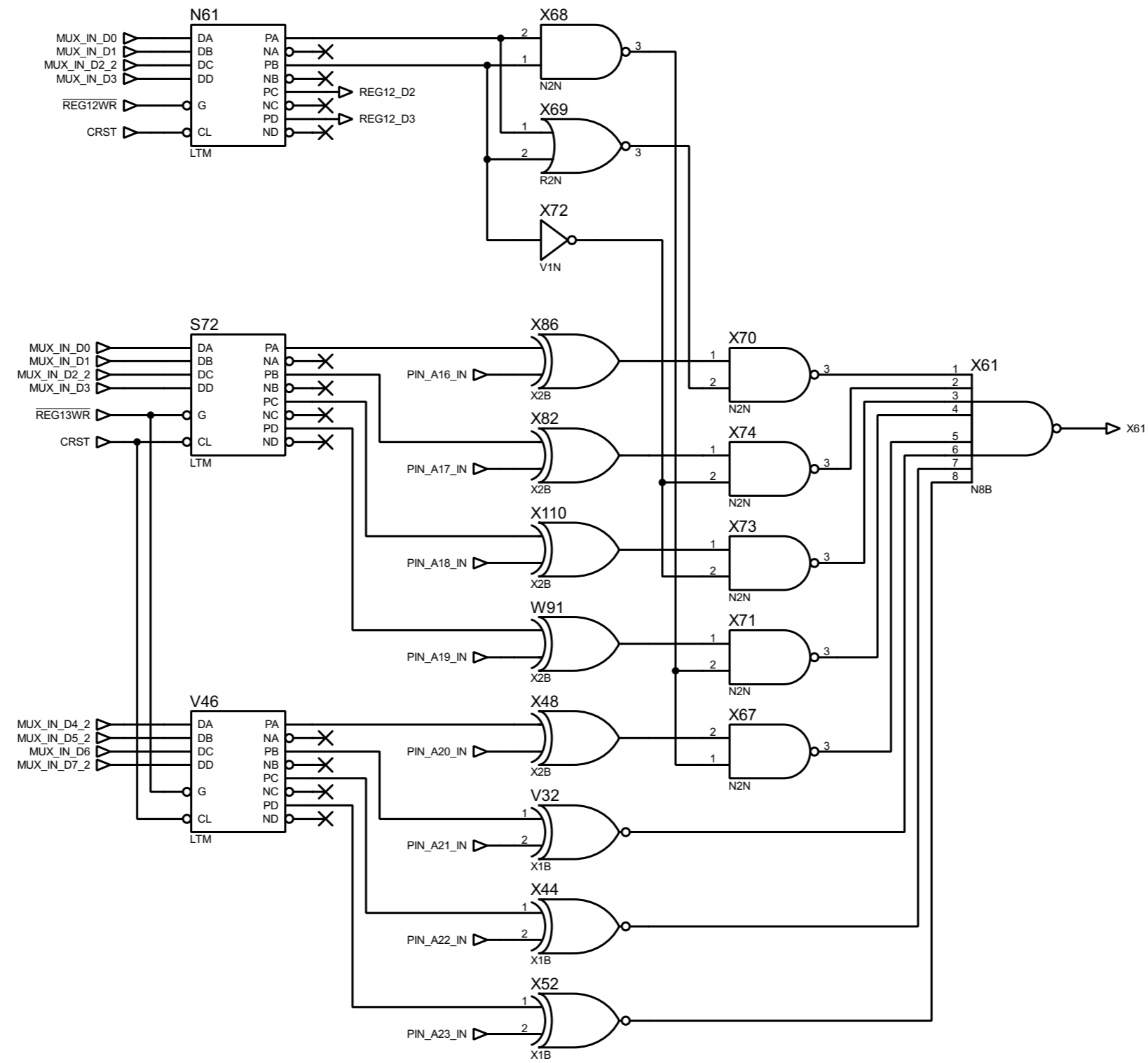
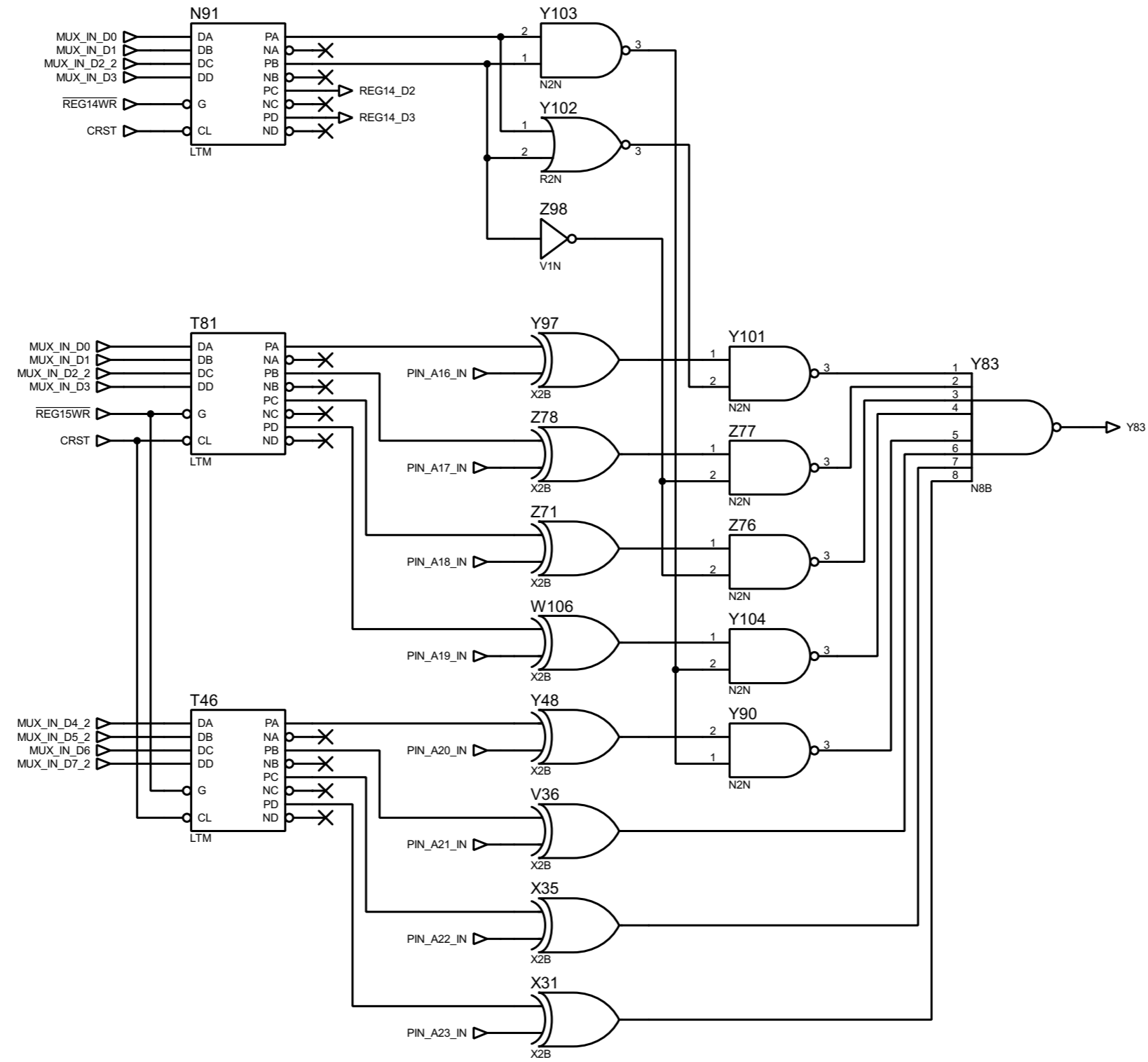


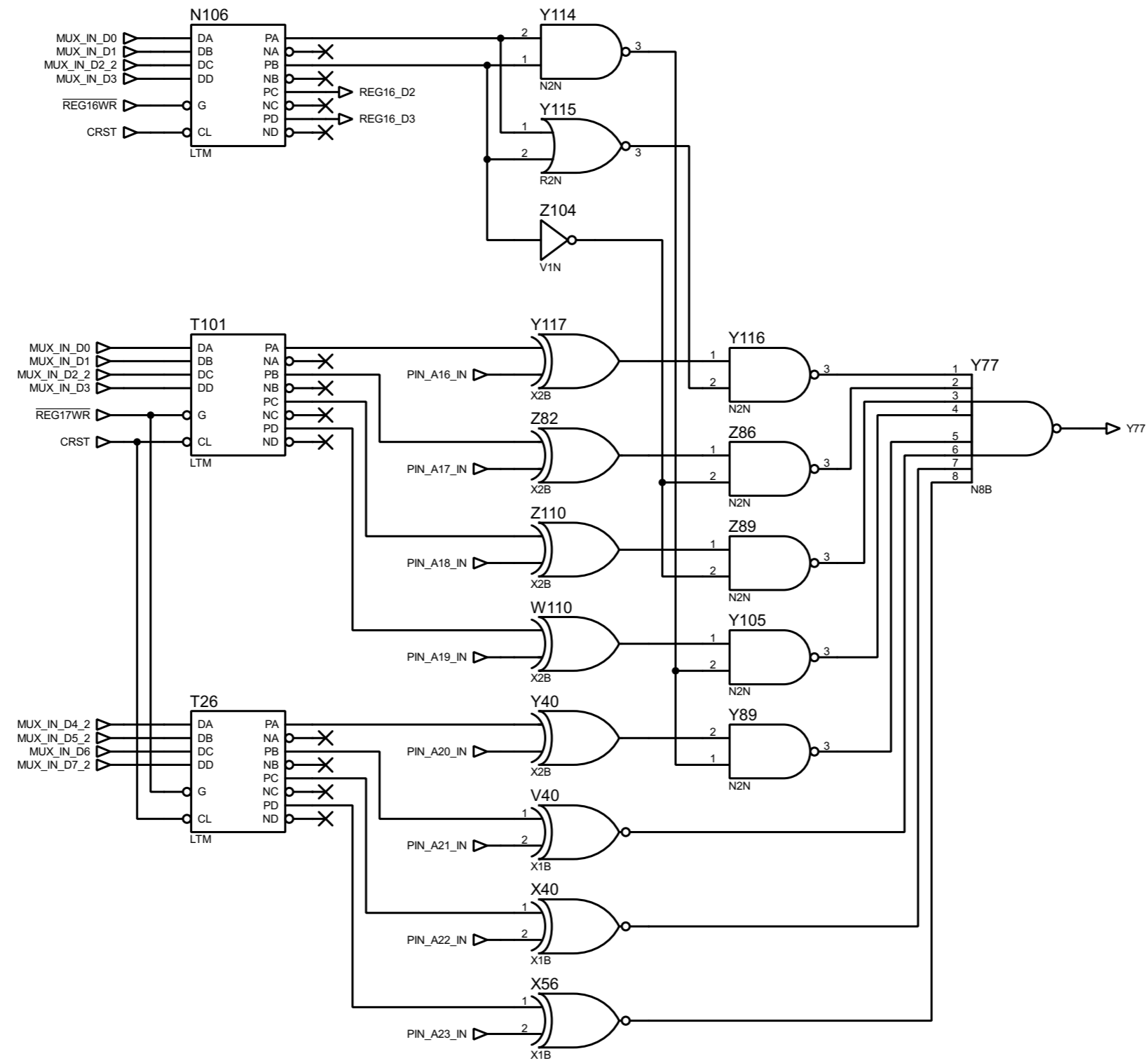
FILE NAME: 315-5195.pdsprj	DATE: 27/07/2021
DESIGN TITLE: Sega 315-5195	PAGE: 1 of 17
MAPPING REGS BANK 0	
BY: Sean Gonsalves	REV: A



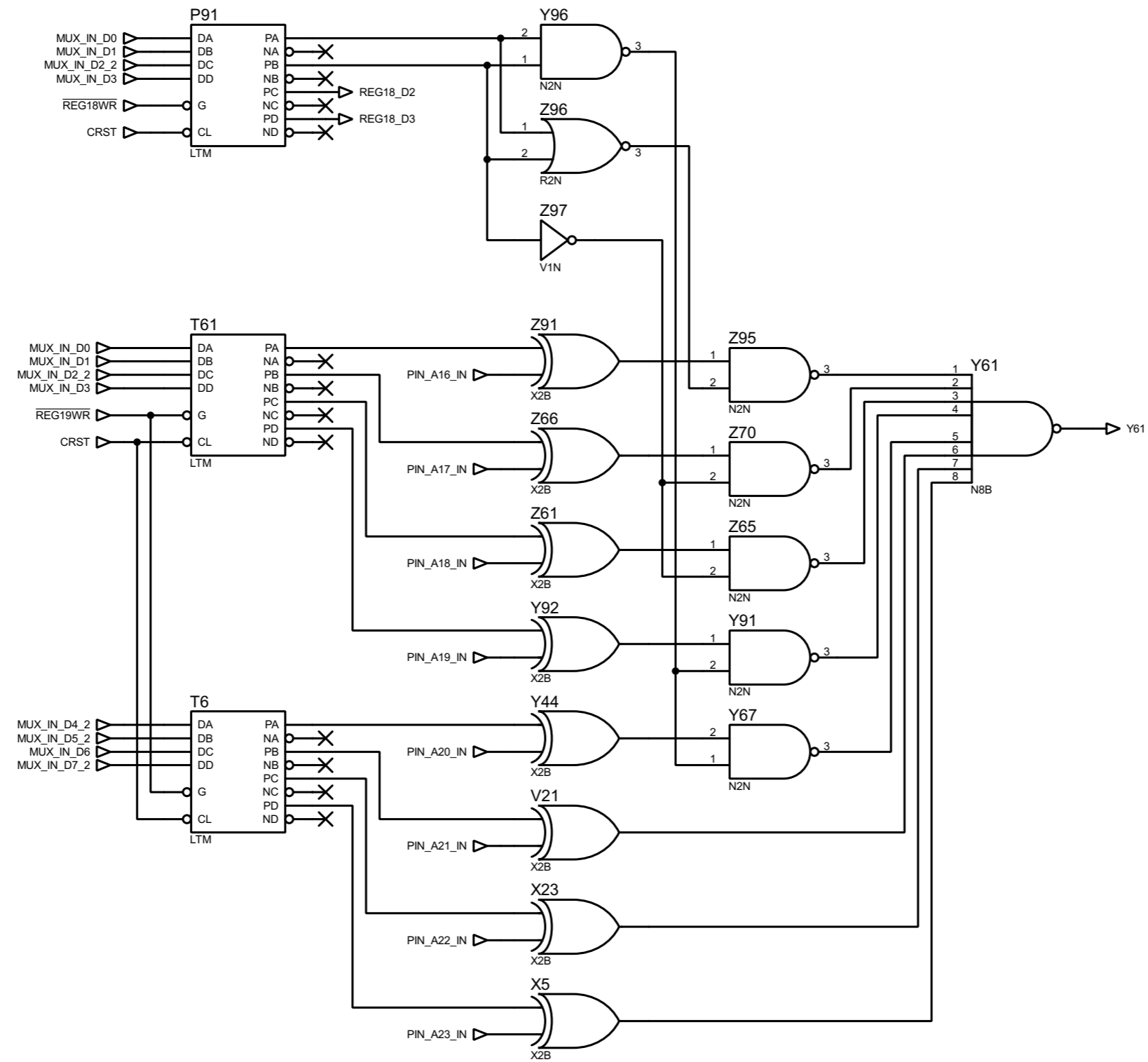
FILE NAME: 315-5195.pdsprj	DATE: 27/07/2021
DESIGN TITLE: Sega 315-5195	PAGE: 2 of 17
MAPPING REGS BANK 1	
BY: Sean Gonsalves	REV: A



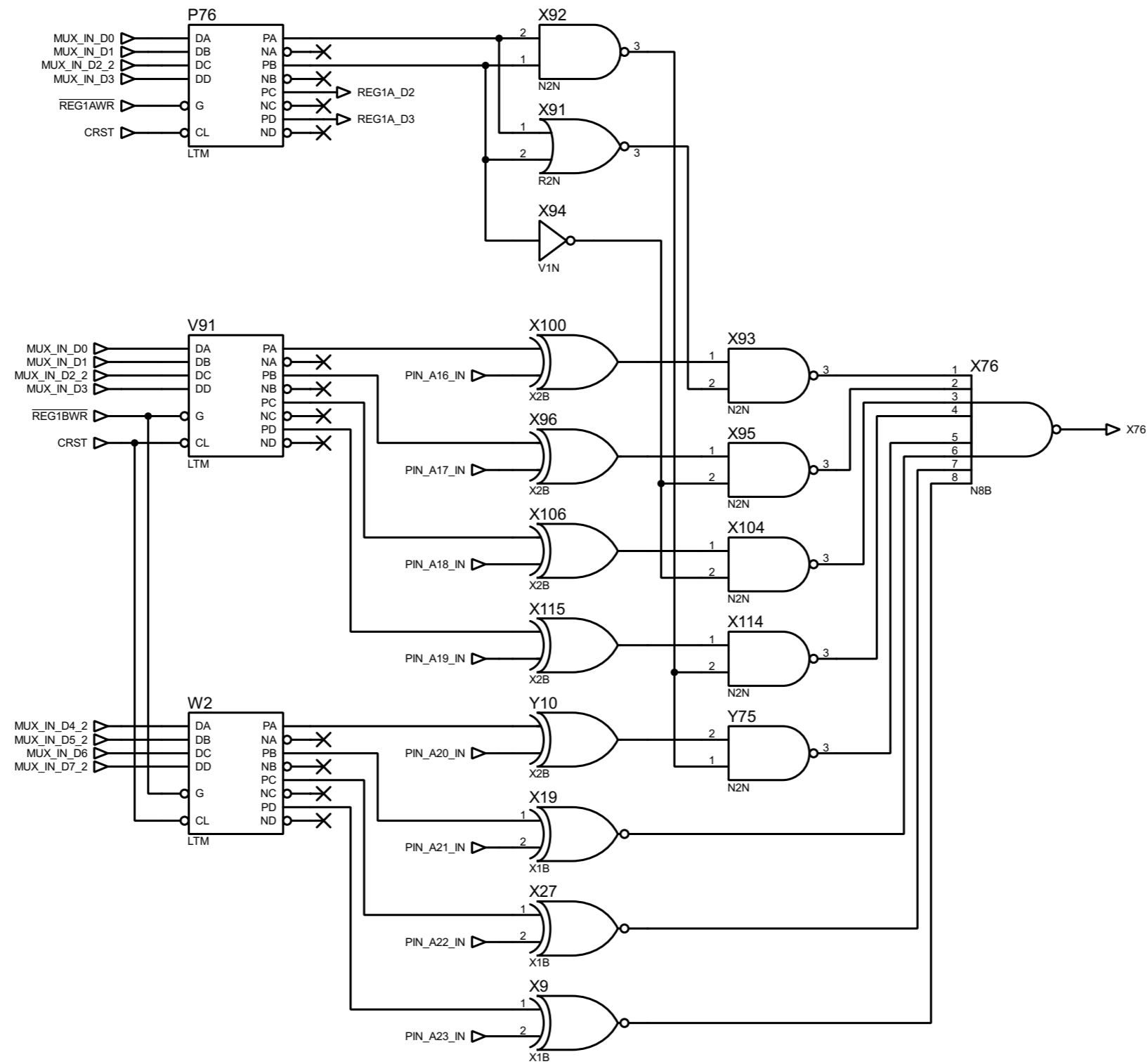
FILE NAME: 315-5195.pdsprj	DATE: 27/07/2021
DESIGN TITLE: Sega 315-5195	PAGE: 3 of 17
MAPPING REGS BANK 2	
BY: Sean Gonsalves	REV: A



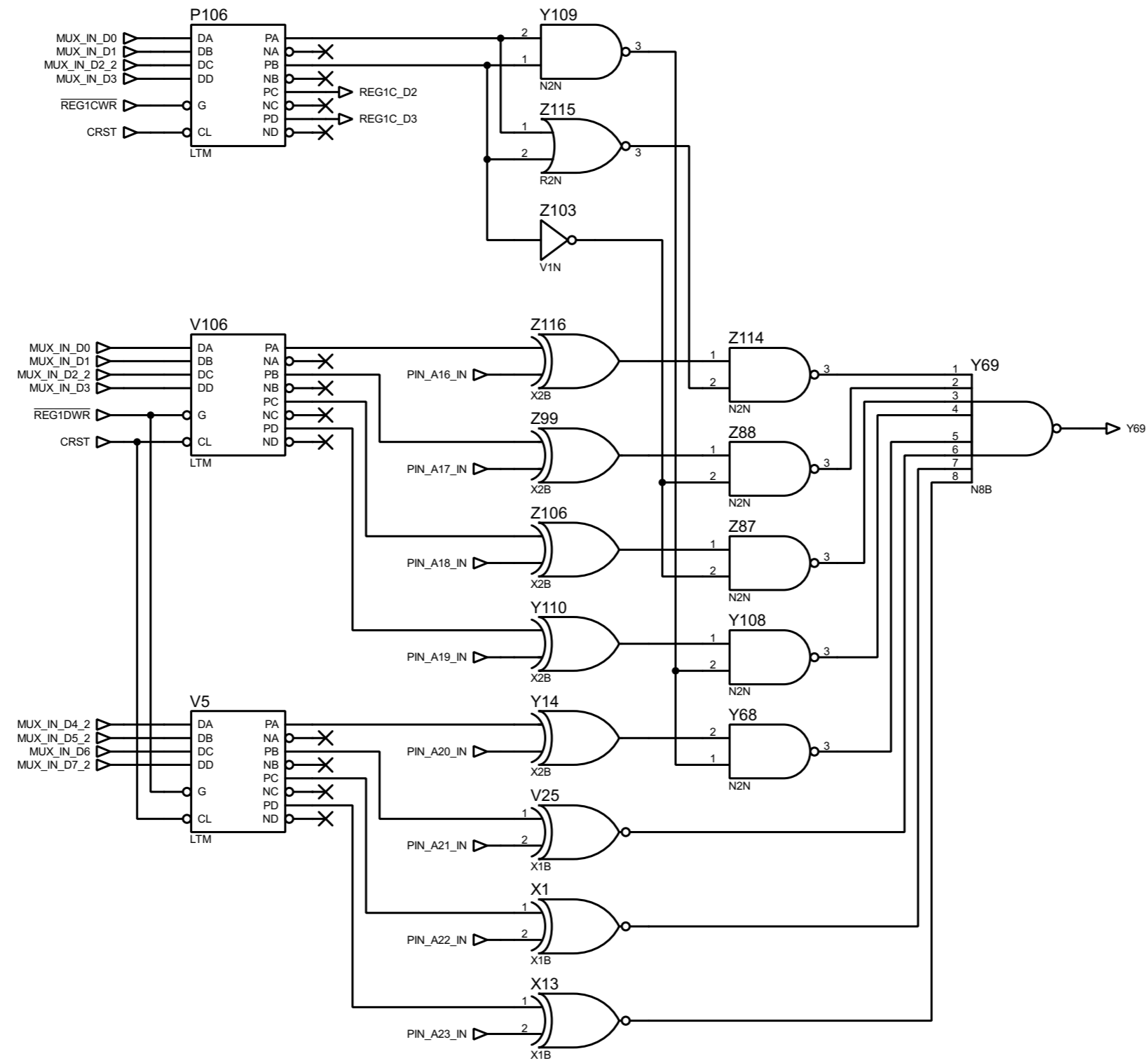
FILE NAME: 315-5195.pdsprj	DATE: 27/07/2021
DESIGN TITLE: Sega 315-5195	PAGE: 4 of 17
MAPPING REGS BANK 3	
BY: Sean Gonsalves	REV: A



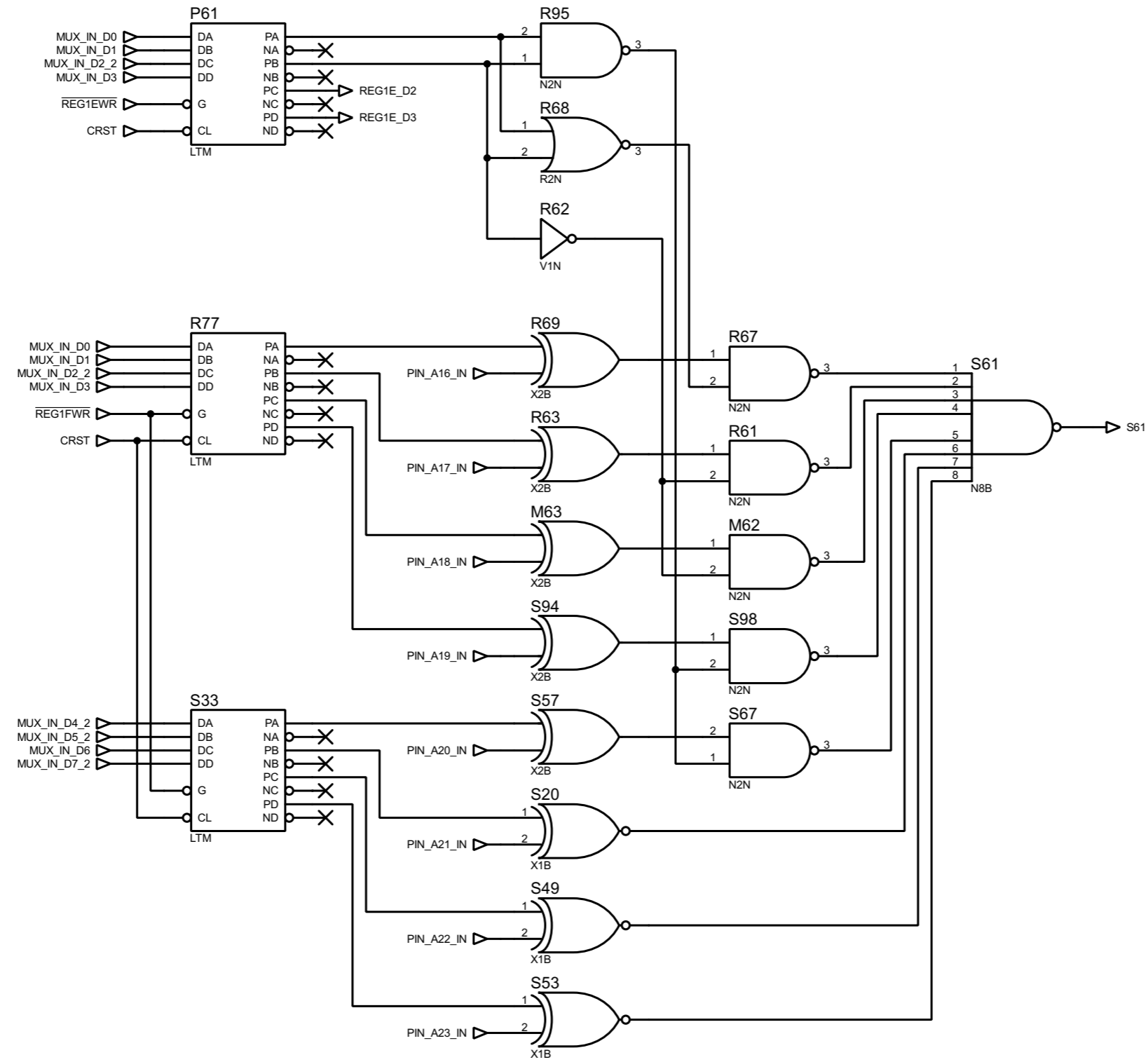
FILE NAME: 315-5195.pdsprj	DATE: 27/07/2021
DESIGN TITLE: Sega 315-5195	PAGE: 5 of 17
MAPPING REGS BANK 4	
BY: Sean Gonsalves	REV: A

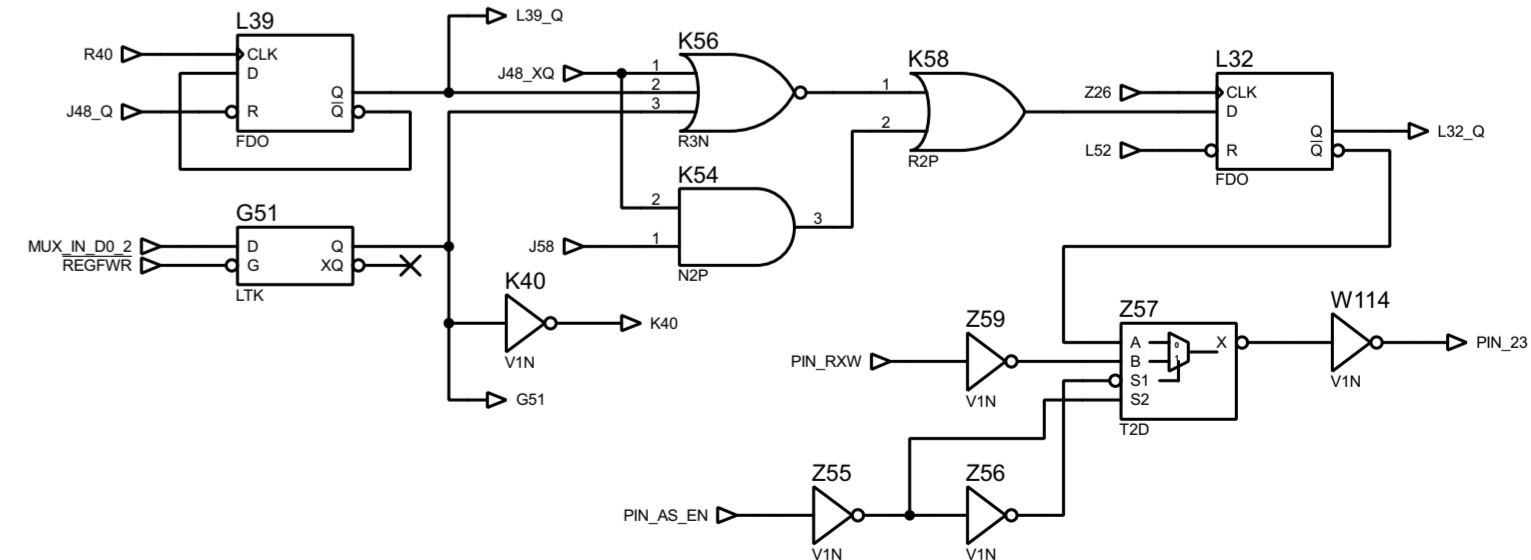
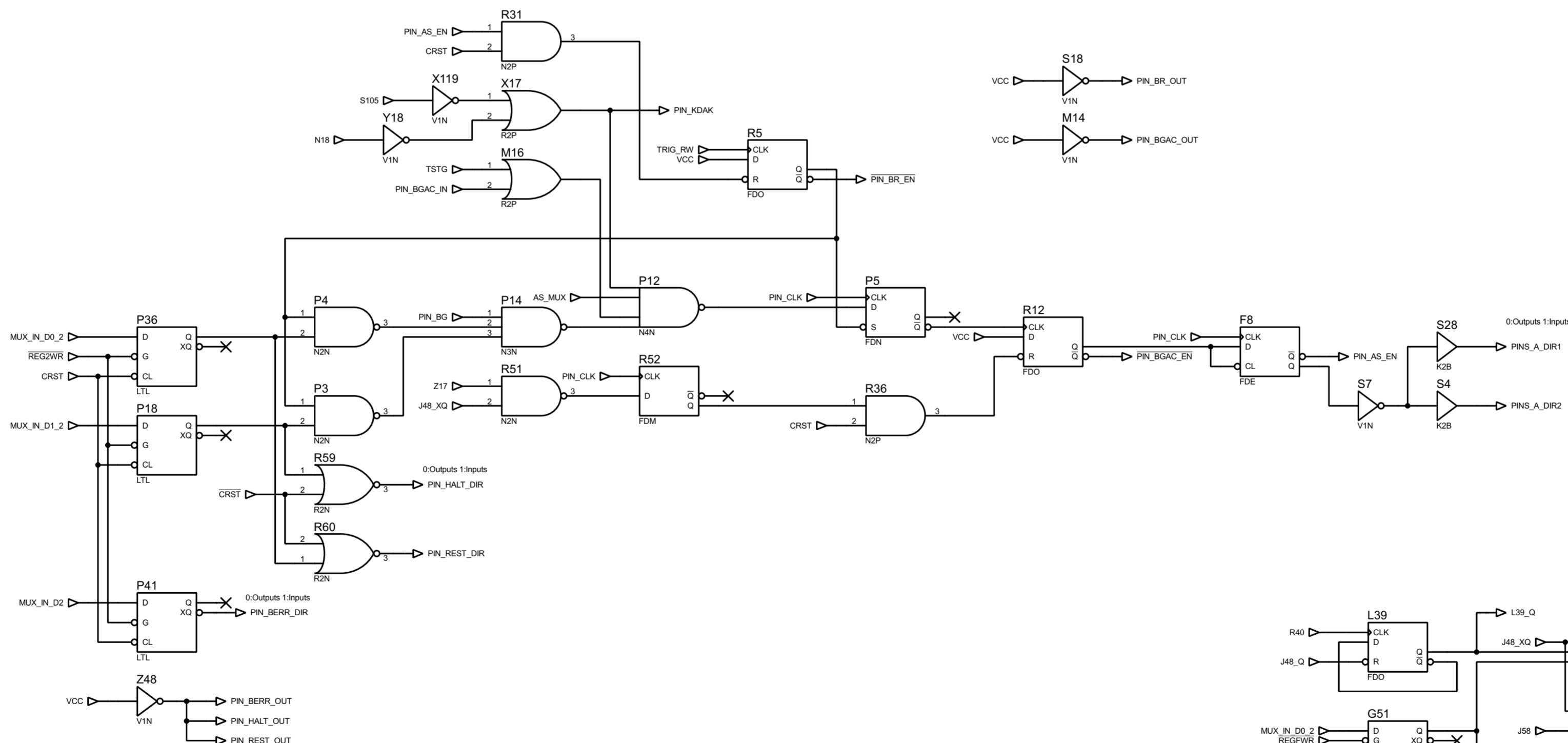
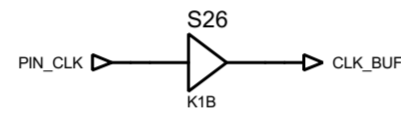
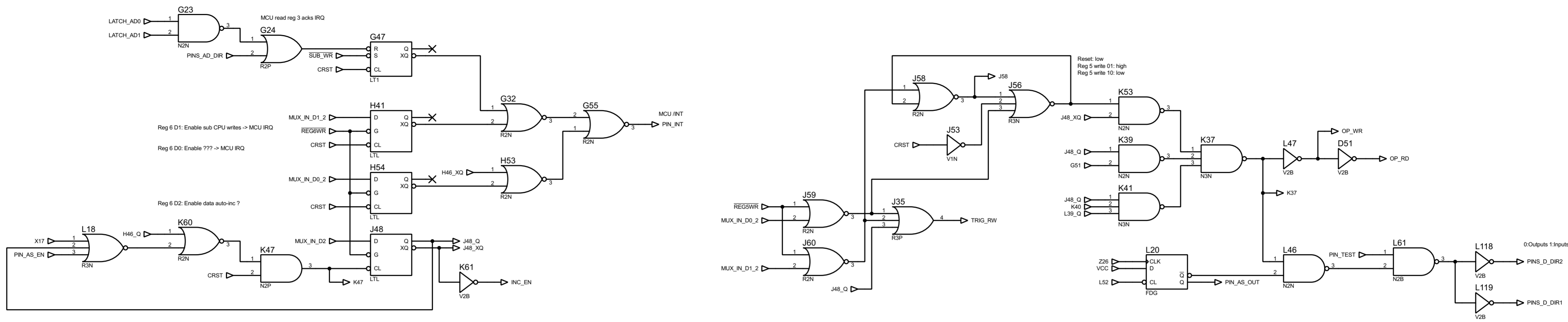


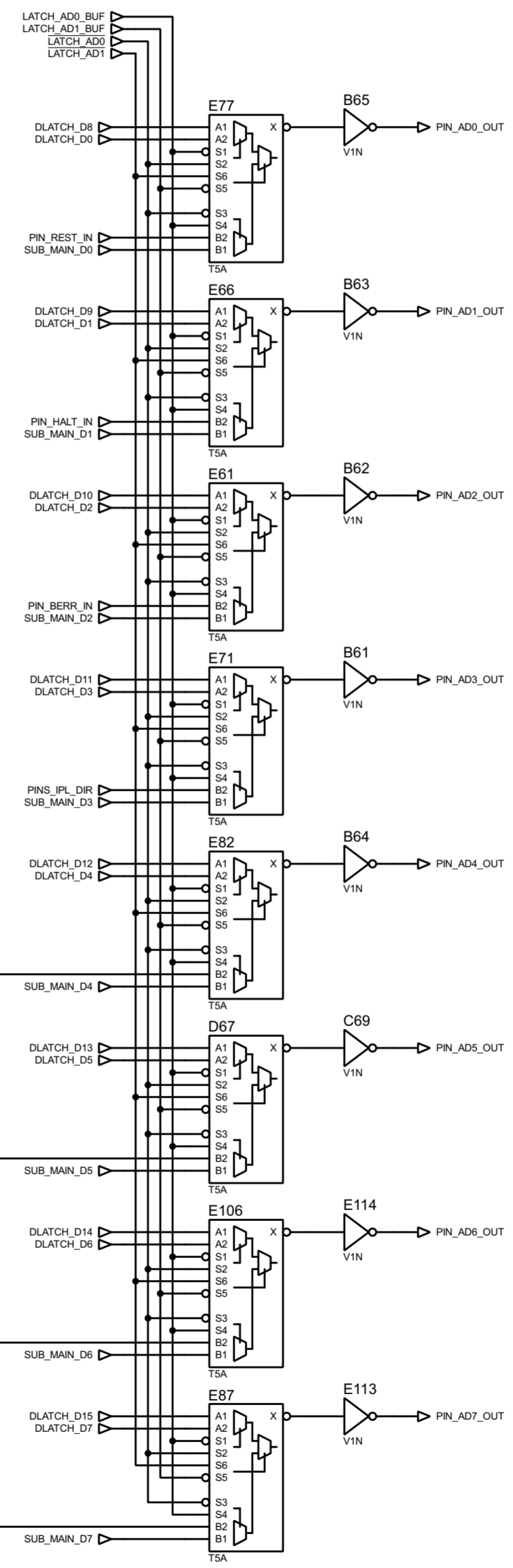
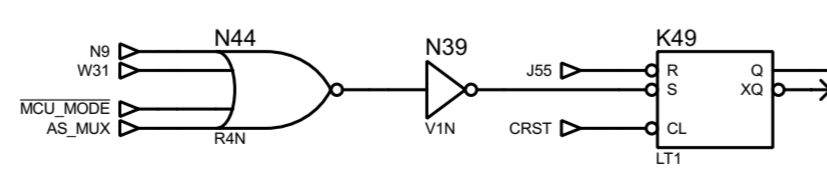
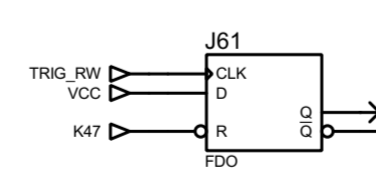
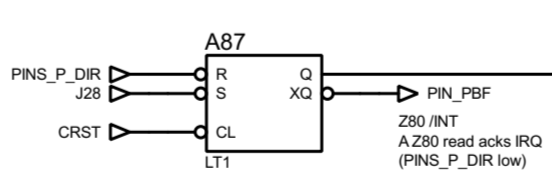
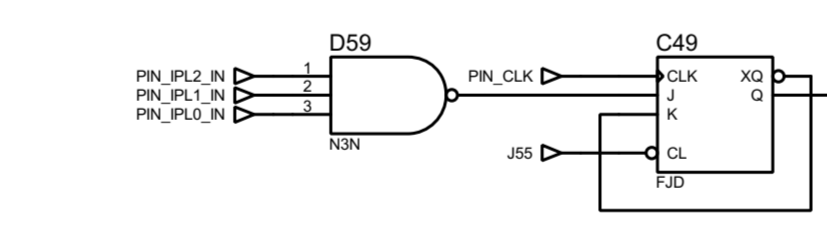
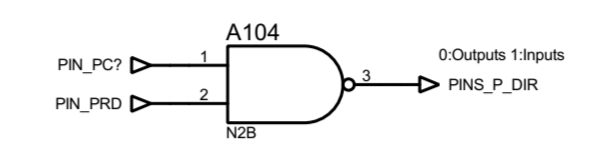
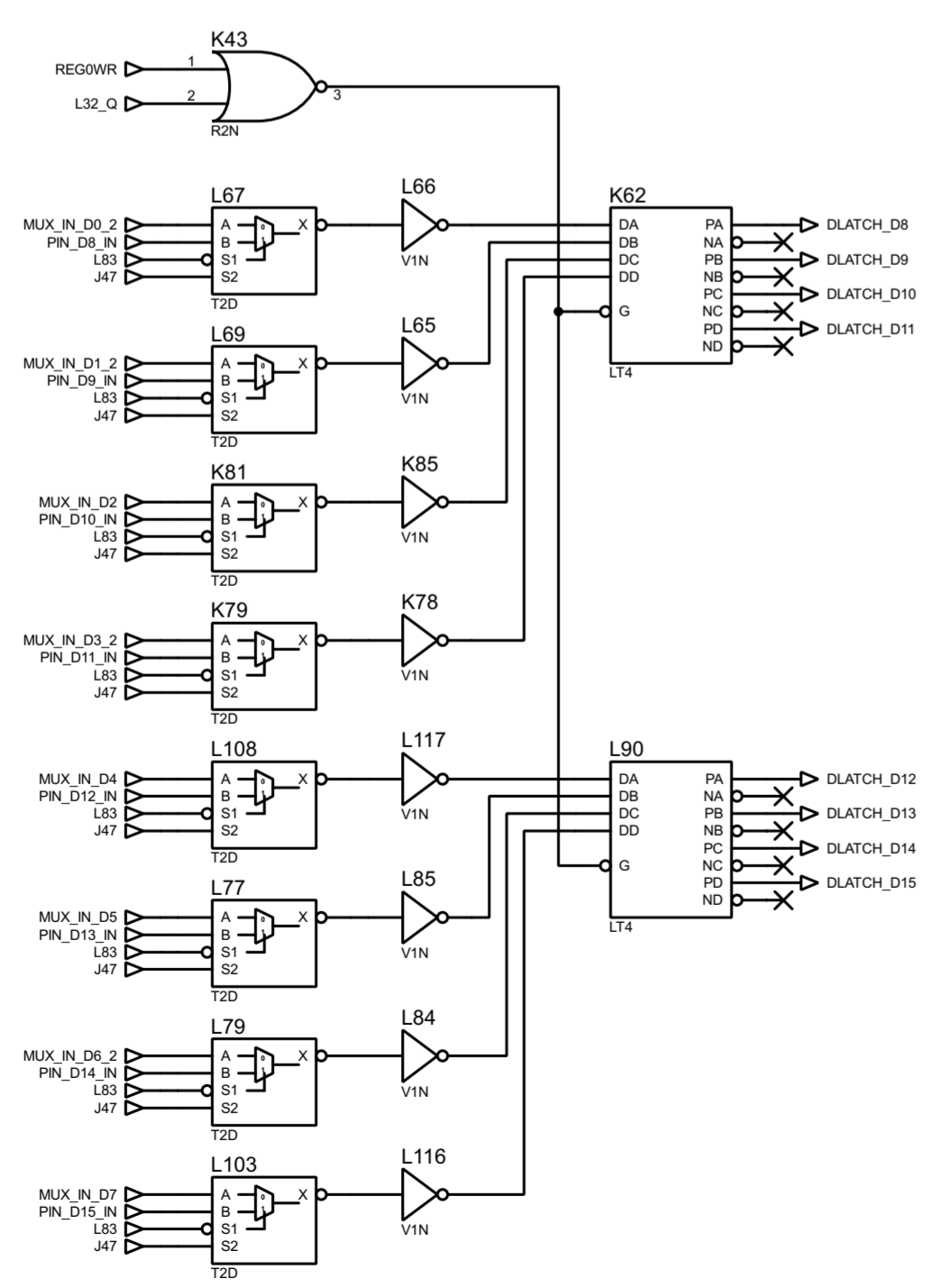
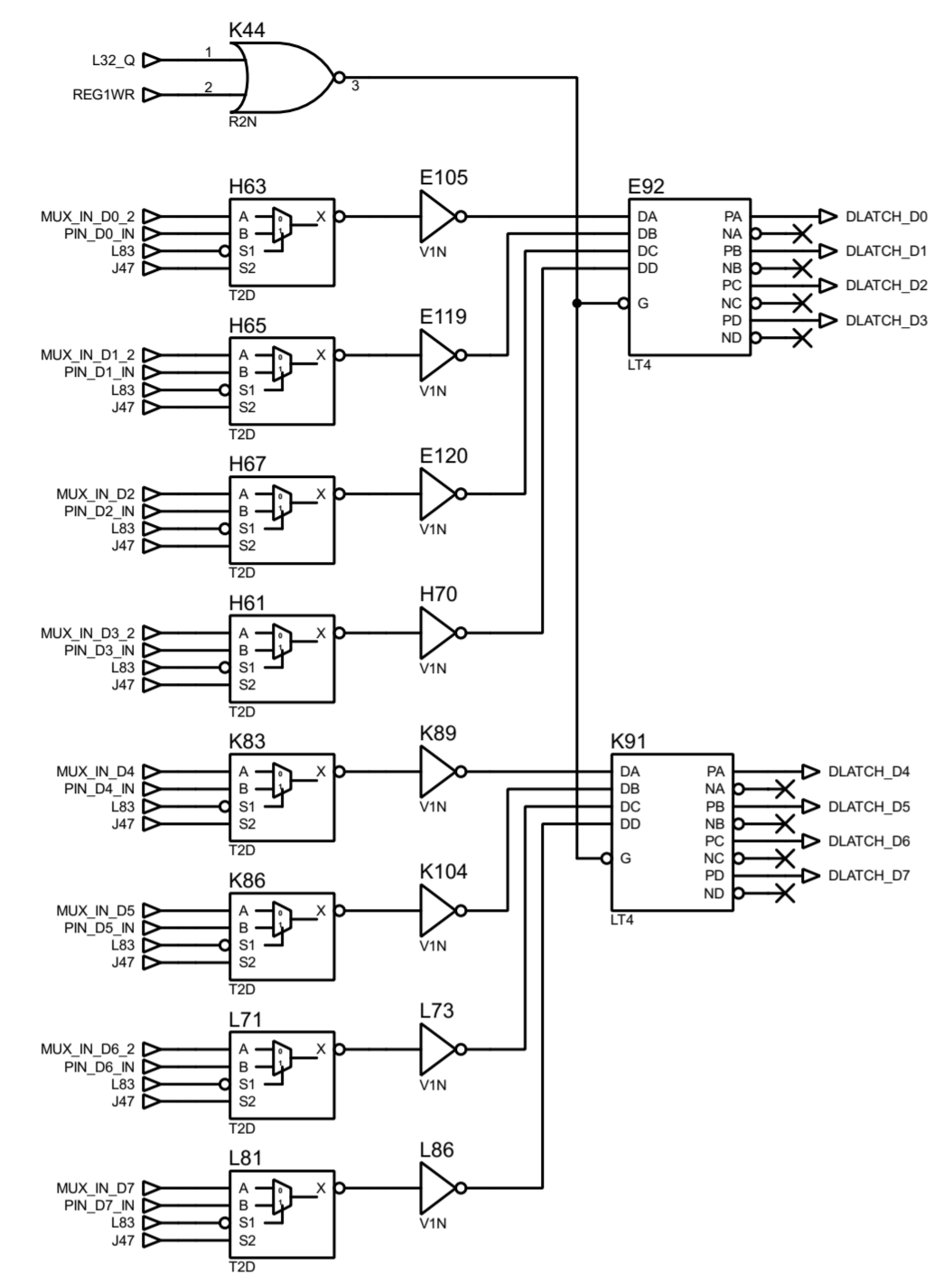
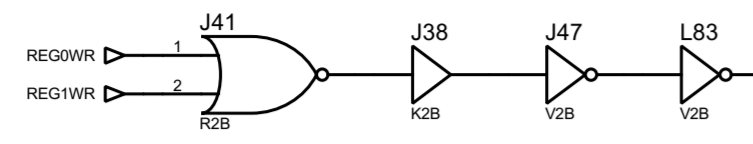
FILE NAME: 315-5195.pdsprj	DATE: 27/07/2021
DESIGN TITLE: Sega 315-5195	PAGE: 6 of 17
MAPPING REGS BANK 5	
BY: Sean Gonsalves	REV: A



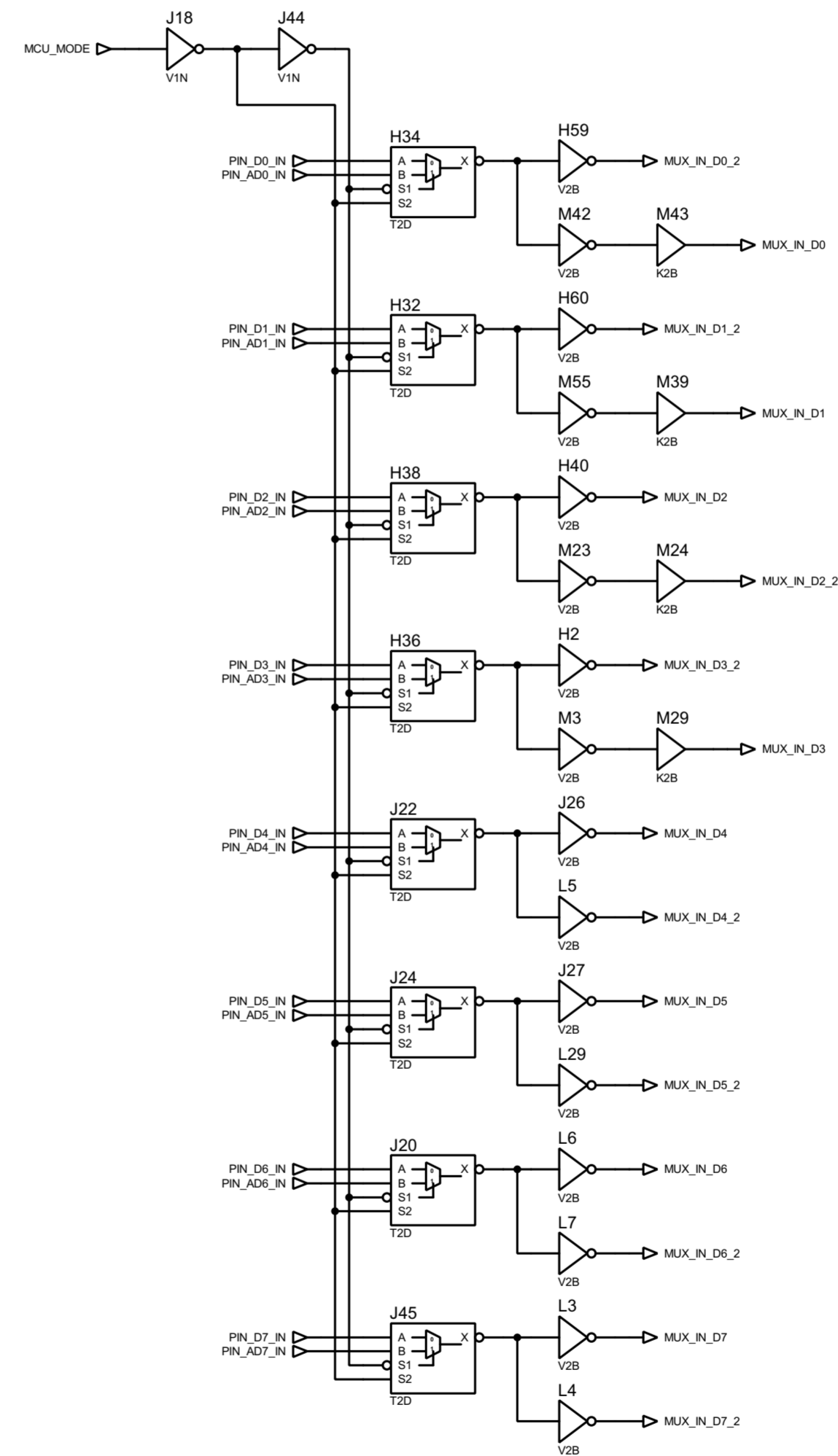
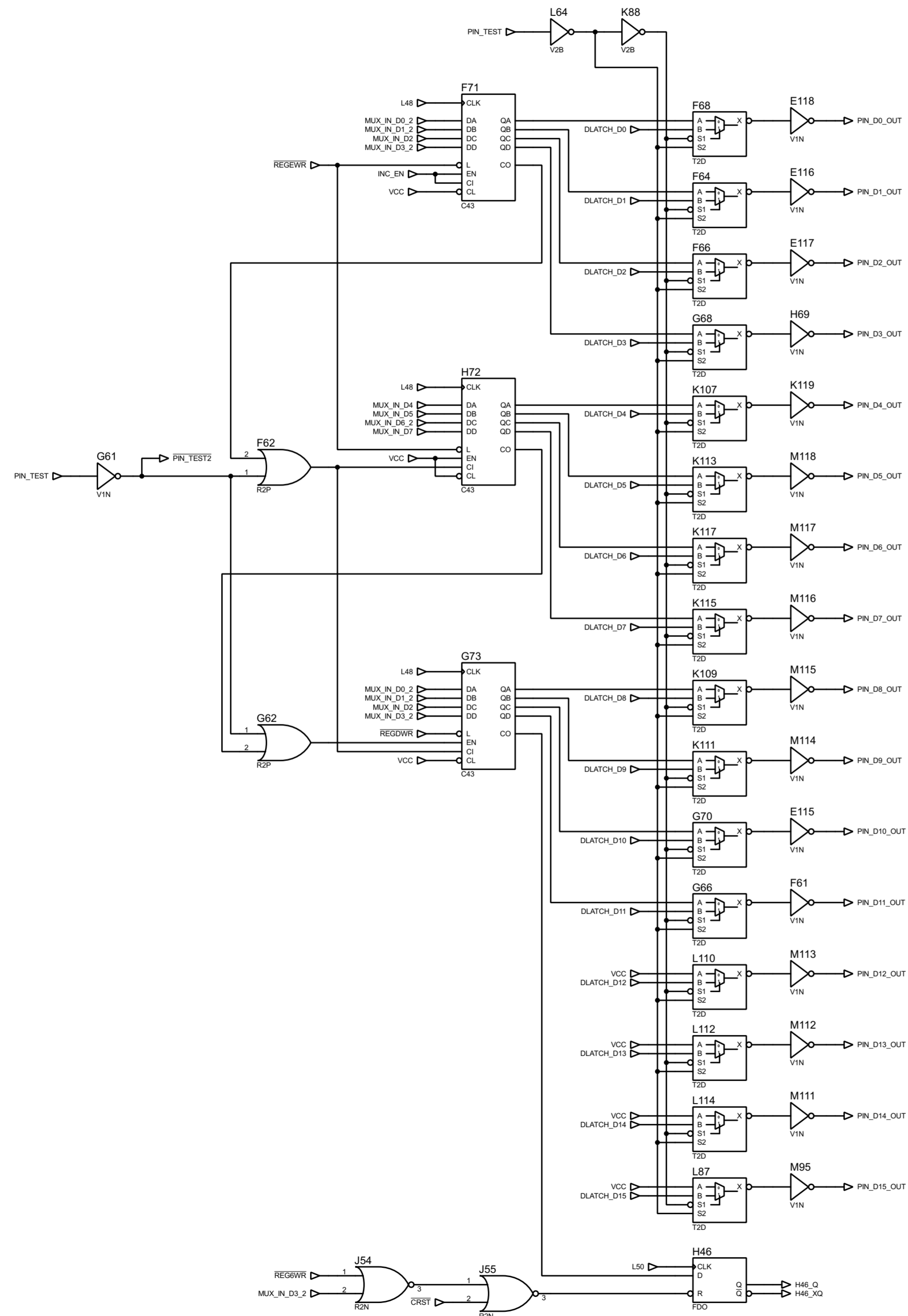
FILE NAME: 315-5195.pdsprj	DATE: 27/07/2021
DESIGN TITLE: Sega 315-5195	PAGE: 7 of 17
MAPPING REGS BANK 6	
BY: Sean Gonsalves	REV: A

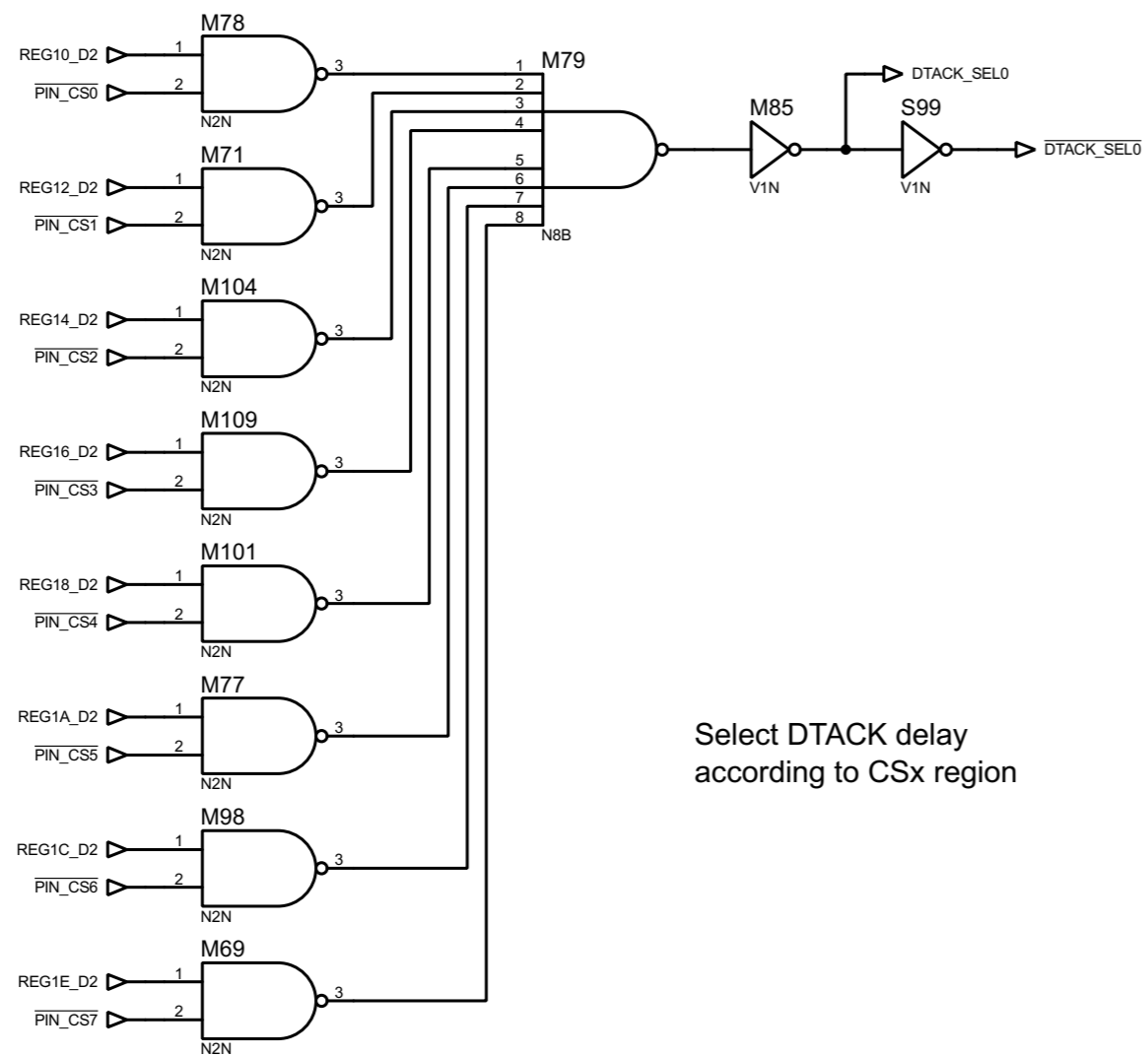




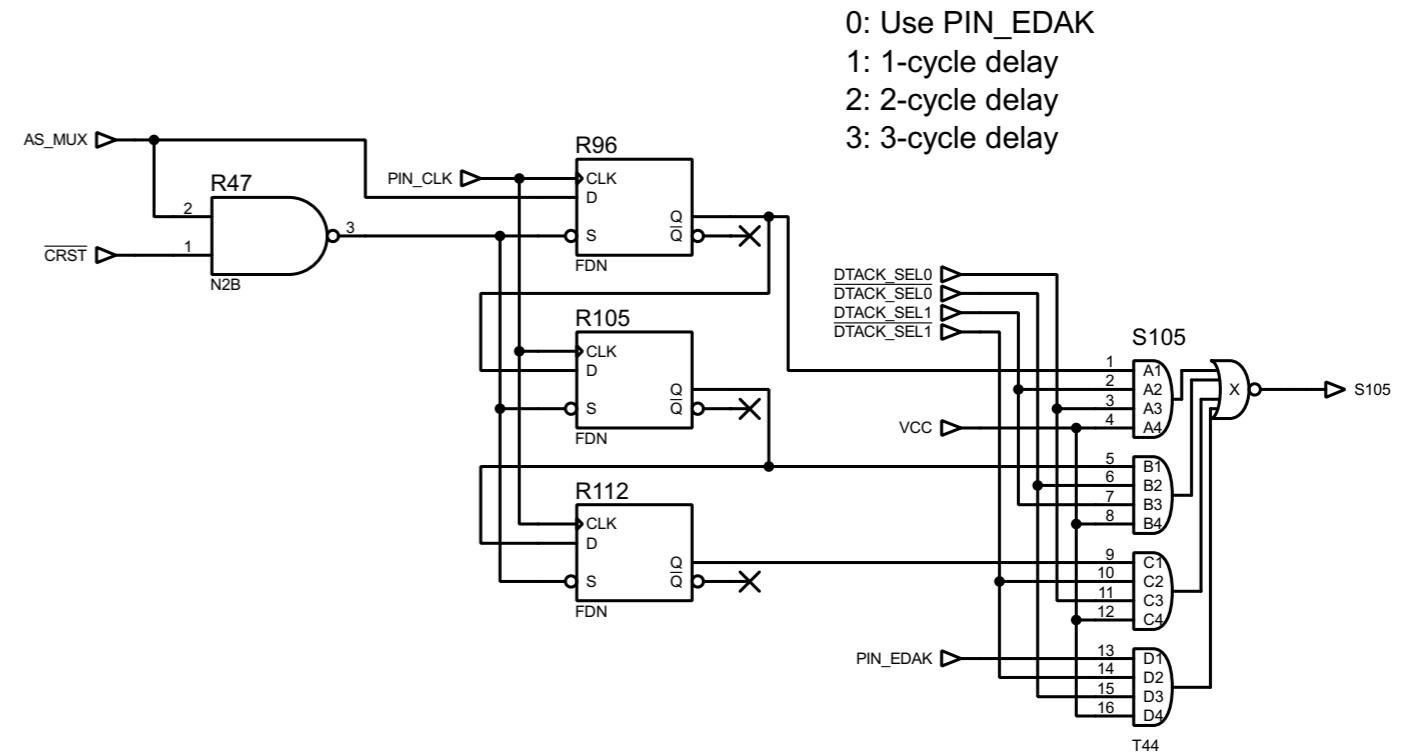
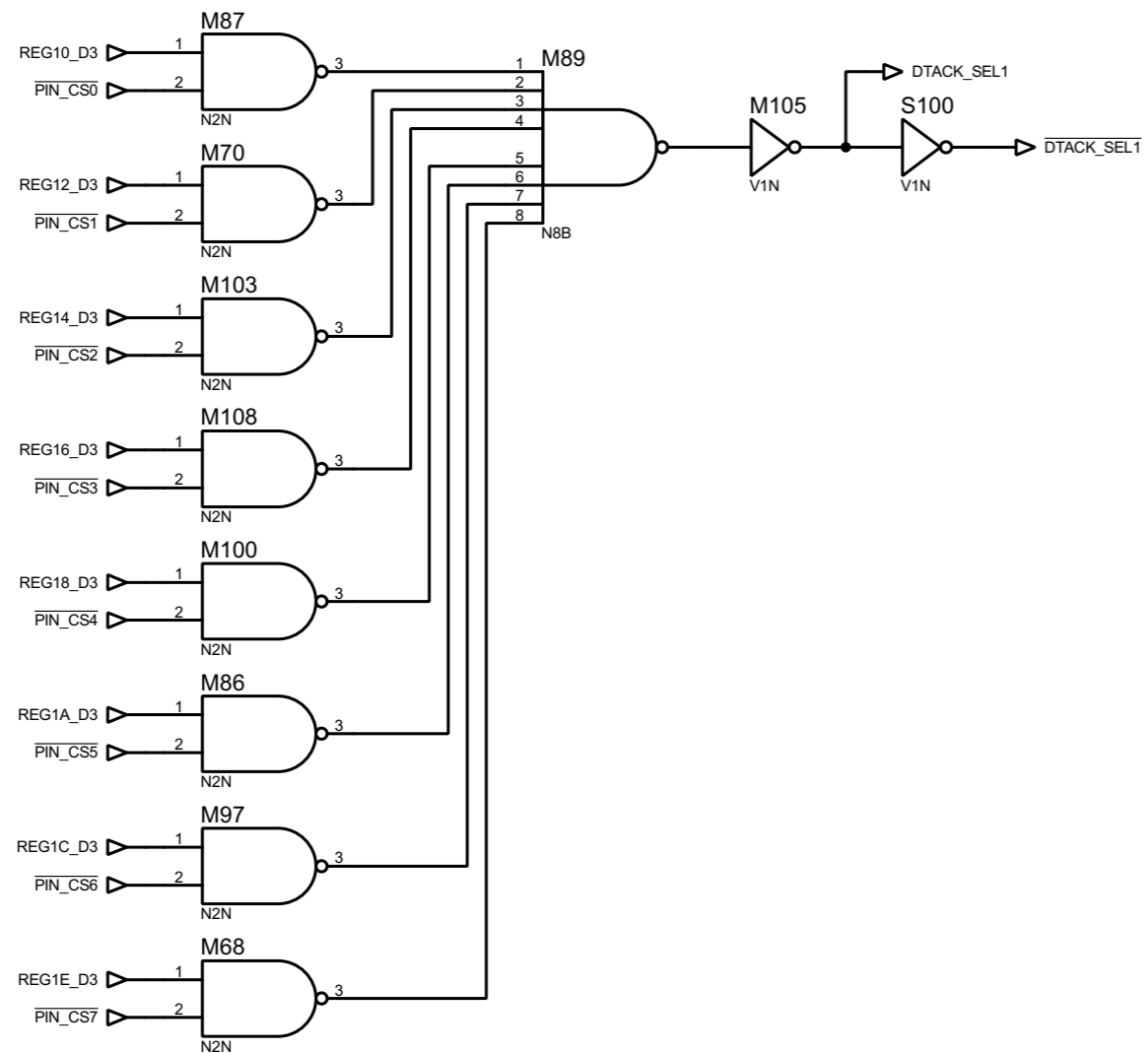


Read 02:
 Bit 0: REST pin
 Bit 1: HALT pin
 Bit 2: BERR pin
 Bit 3: IPL pins direction
 Bit 4: IRQ in
 Bit 5: P pins direction
 Bit 6: Busy with R/W
 Bit 7:



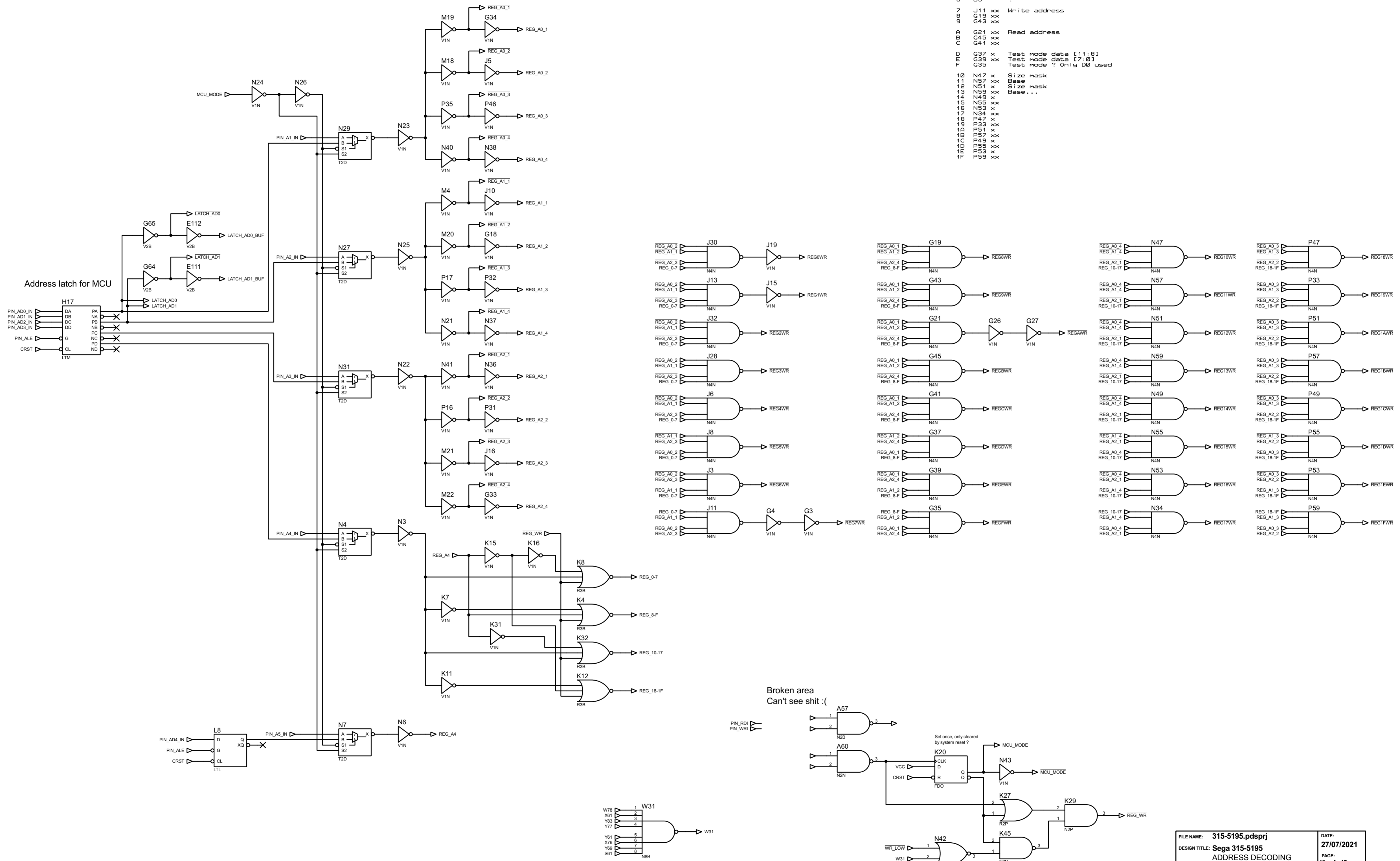


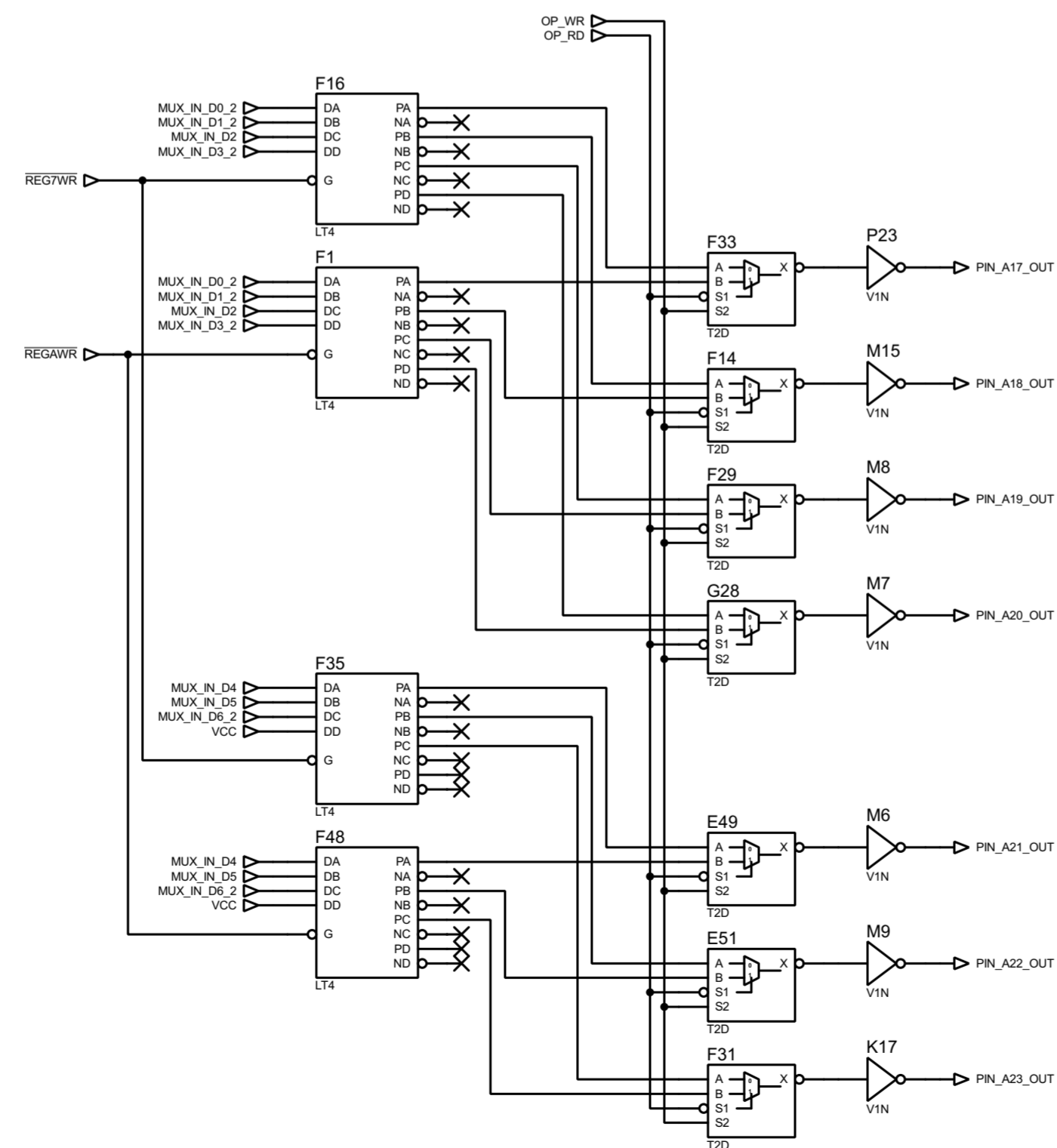
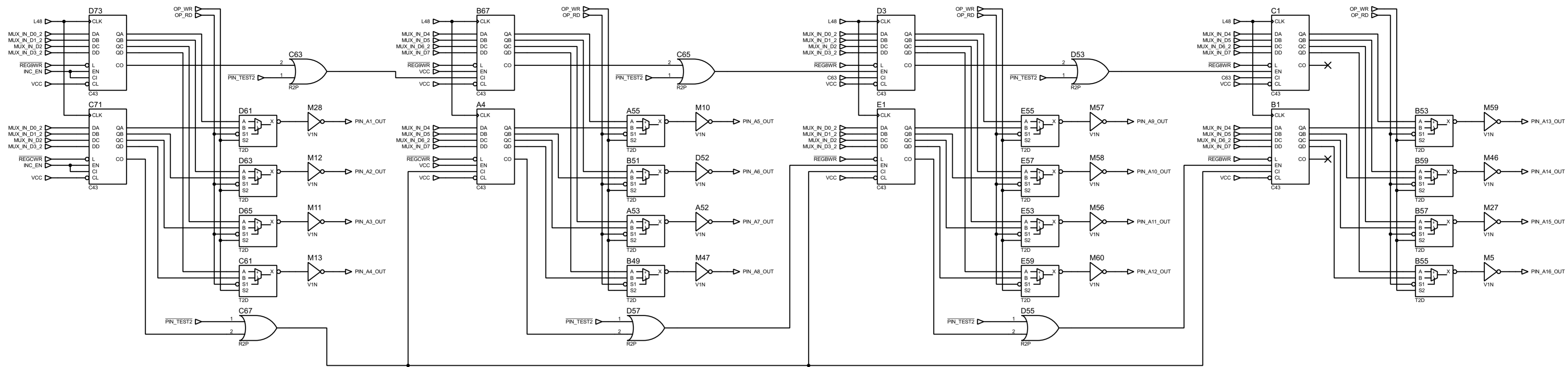
Select DTACK delay according to CSx region



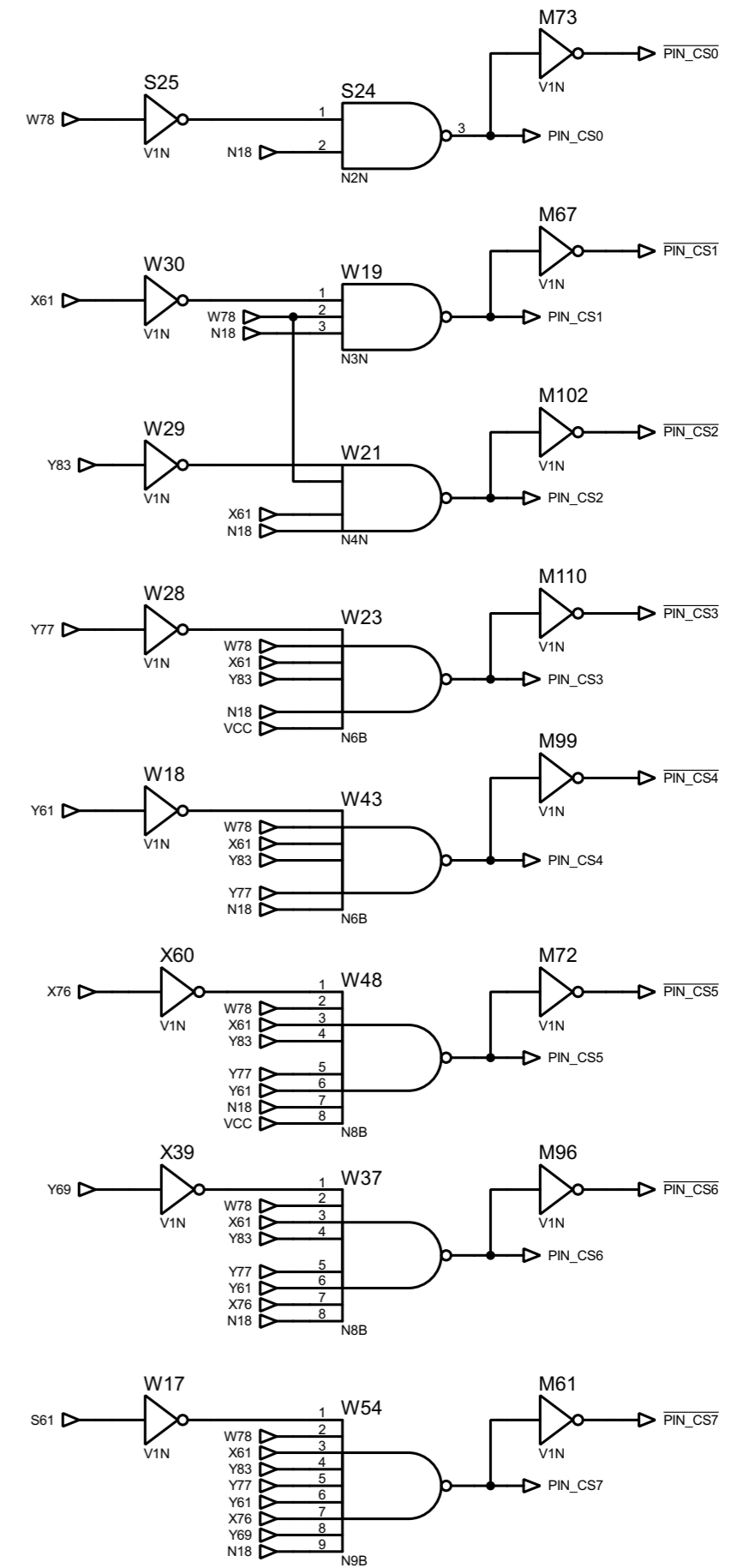
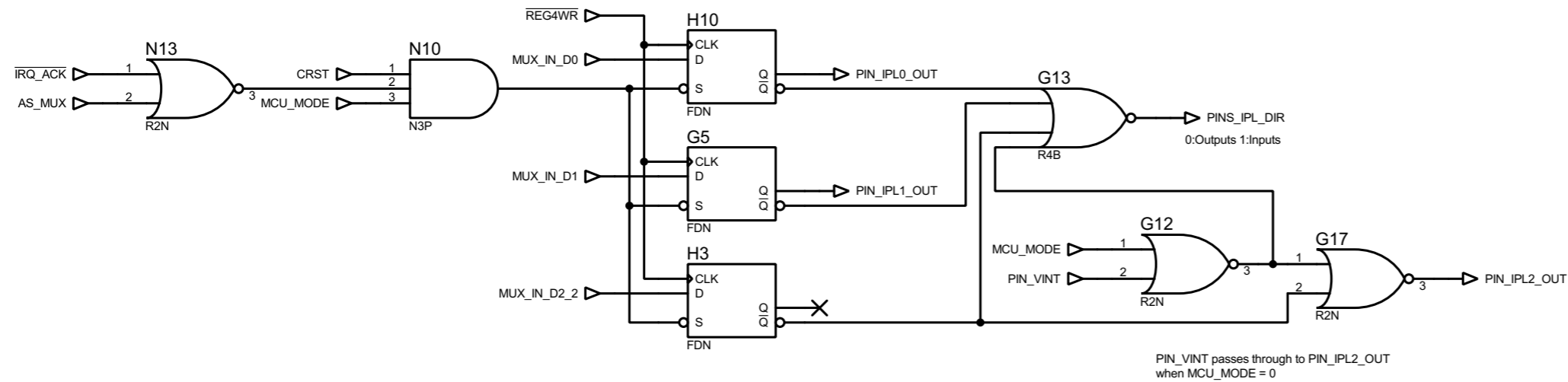
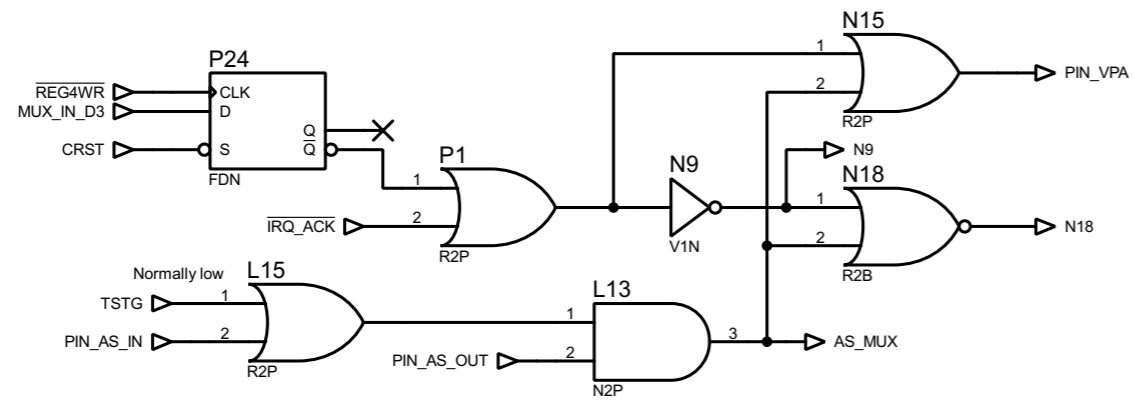
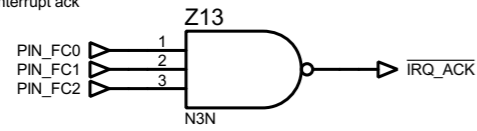
- 0: Use PIN_EDAK
- 1: 1-cycle delay
- 2: 2-cycle delay
- 3: 3-cycle delay

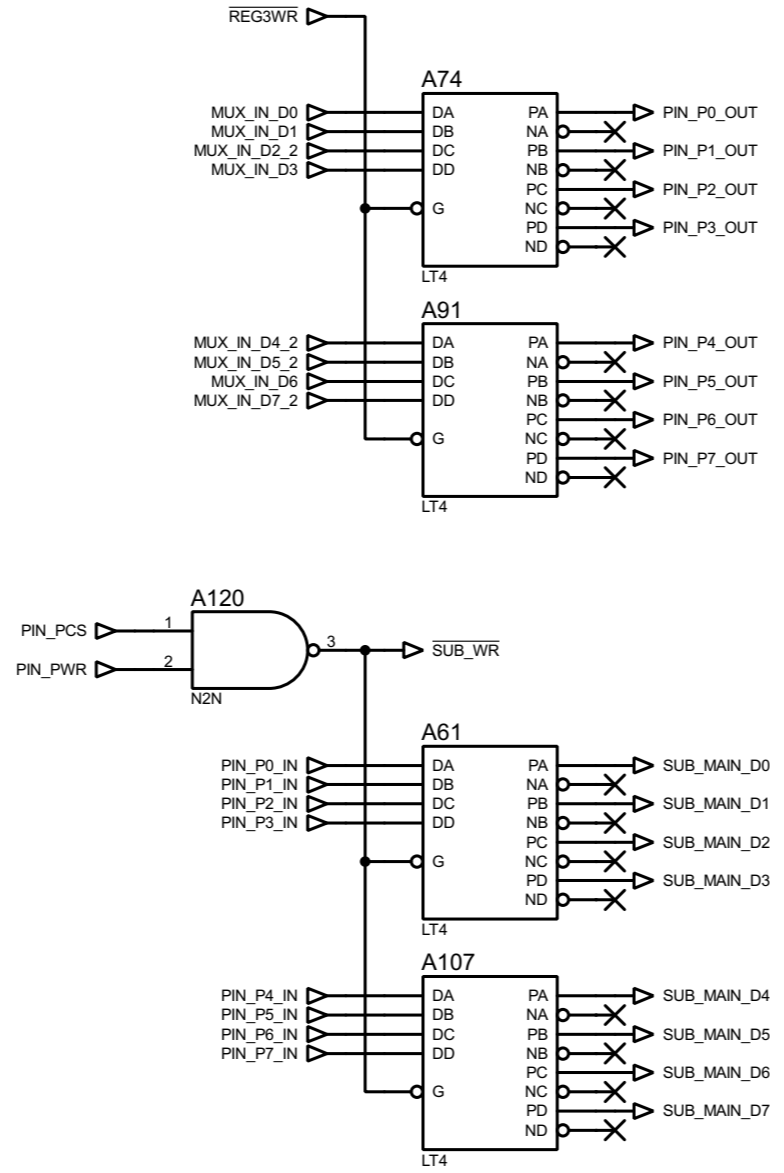
Reg	Decoder	Write
0	J30	Data to write
1	J13	Data to write
2	J25	Halt/reset control
3	J25	68k -> 280
4	J6	Set 68k IPL lines
5	J8	R/W control
6	J9	?
7	G11	Write address
8	G19	xx
9	G43	xx
C	G21	Read address
D	G45	xx
D	G41	xx
F	G37	Test mode data [11:8]
F	G39	Test mode data [7:0]
F	G35	Test mode ? Only D0 used
10	N47	Size mask
11	N57	Base
12	N51	Size mask
13	N59	Base...
14	N49	Base...
15	N55	xx
16	N53	xx
17	N34	xx
18	N47	xx
19	P33	xx
1A	P57	xx
1B	P51	xx
1C	P49	xx
1D	P55	xx
1E	P53	xx
1F	P59	xx





FC[2:0]==111 means interrupt ack





FILE NAME: 315-5195.pdsprj	DATE: 27/07/2021
DESIGN TITLE: Sega 315-5195 MAIN / SUB COMM	PAGE: 16 of 17
BY: Sean Gonsalves	REV: A

